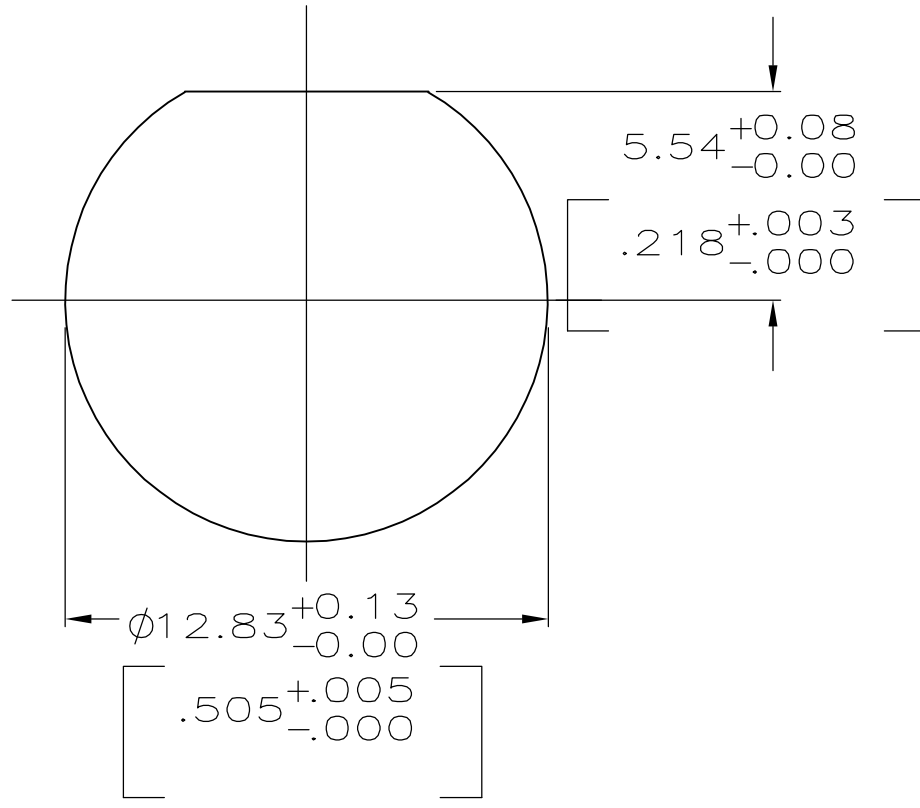
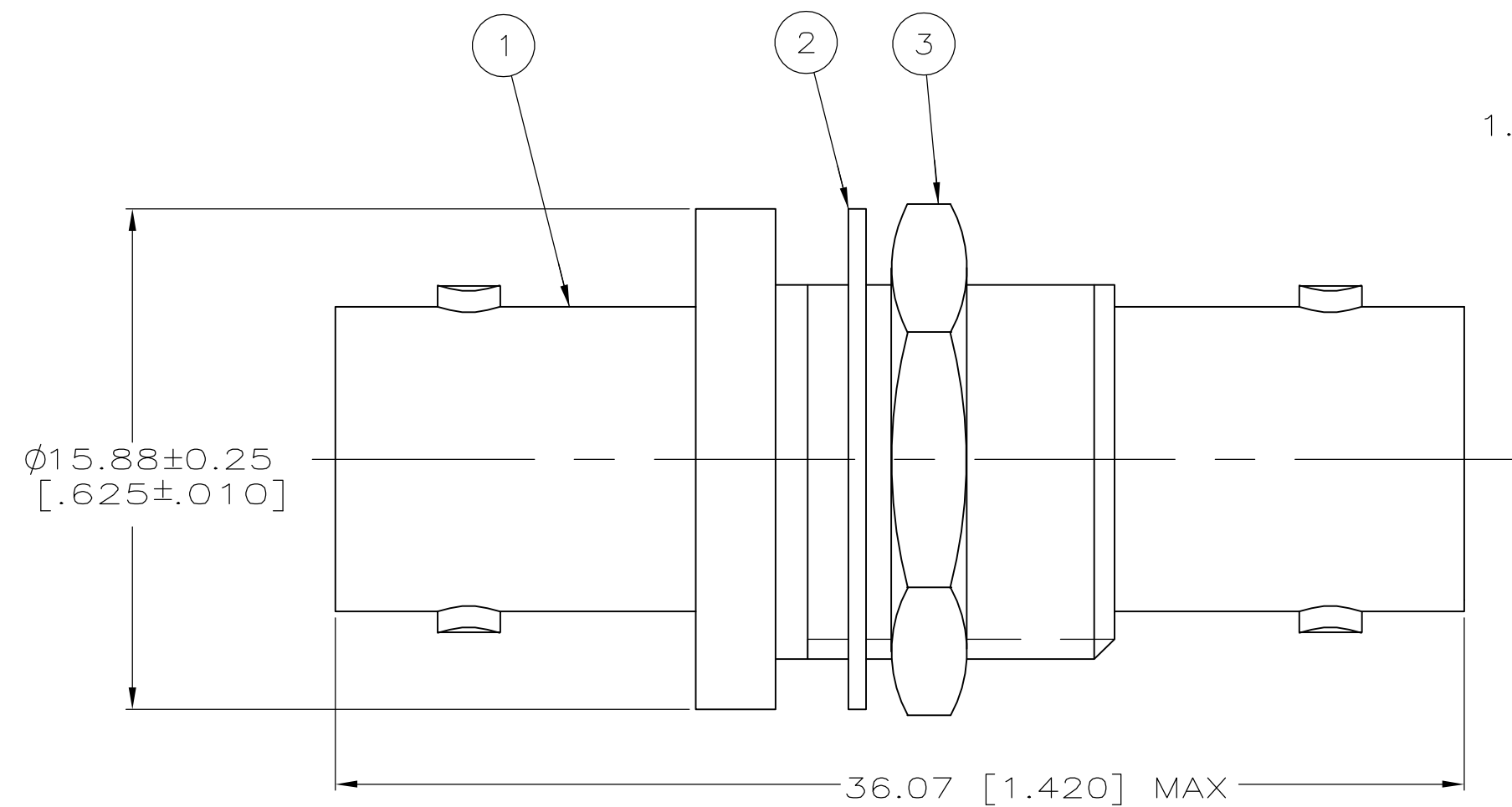


THIS DRAWING IS UNPUBLISHED. RELEASED FOR PUBLICATION
 © COPYRIGHT BY TYCO ELECTRONICS CORPORATION. ALL RIGHTS RESERVED.

LOC	DIST	REVISIONS					
AJ	16	P	LTR	DESCRIPTION	DATE	DWN	APVD
		A		REVISED PER OS14-0150-05.	09NOV2005	REH	JL



RECOMMENDED PANEL CUTOUT

1-329631-2	1-329632-2	414136-1	5414105-1
3 JAM NUT QTY=1	2 LOCKWASHER QTY=1	1 JACK ASSY QTY=1	PART NO

THIS DRAWING IS A CONTROLLED DOCUMENT.		DWN J. HAVENER 01NOV2005	Tyco Electronics Corporation Harrisburg, PA 17105-3608	
DIMENSIONS: mm [INCHES]		CHK J. HAVENER 01NOV2005		
TOLERANCES UNLESS OTHERWISE SPECIFIED:		APVD J. LIPPERT 01NOV2005	NAME JACK, ADAPTER, BULKHEAD, 50 OHM, ISOLATED, BNC	
0 PLC ± - 1 PLC ± - 2 PLC ± - 3 PLC ± - 4 PLC ± - ANGLES ± -		PRODUCT SPEC -	RESTRICTED TO -	
MATERIAL -		FINISH -	APPLICATION SPEC -	WEIGHT -
		SIZE A3		CAGE CODE 00779
		DRAWING NO G-5414105		SCALE 5:1
		CUSTOMER DRAWING		SHEET 1 of 1
				REV A